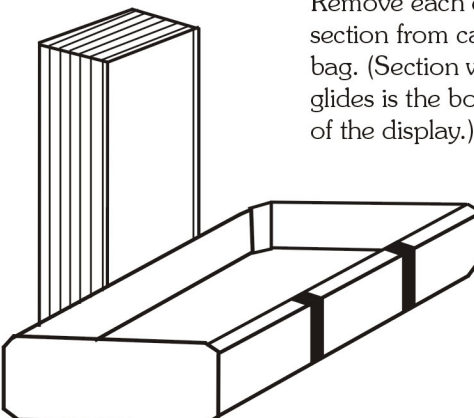



INSTA PANEL SET-UP INSTRUCTIONS



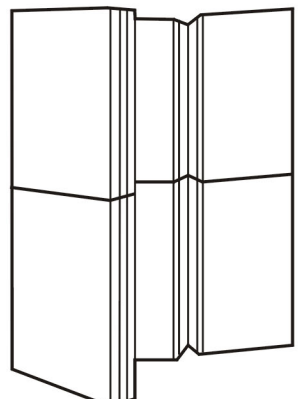
Remove each display section from case or bag. (Section with glides is the bottom of the display.)

1



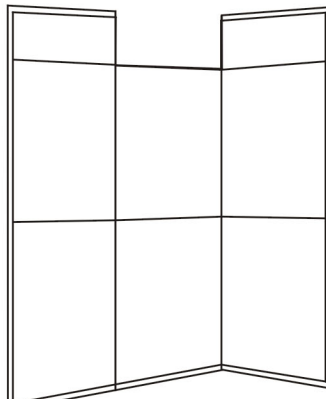
Keep sections closed. Place top section on bottom section, using pegs for alignment.

2



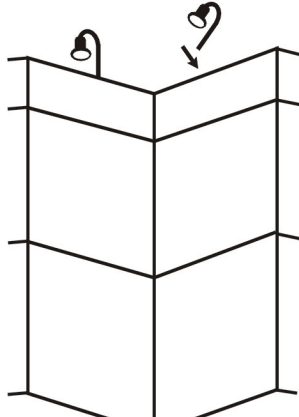
Unfold and position display into desired configuration.

3



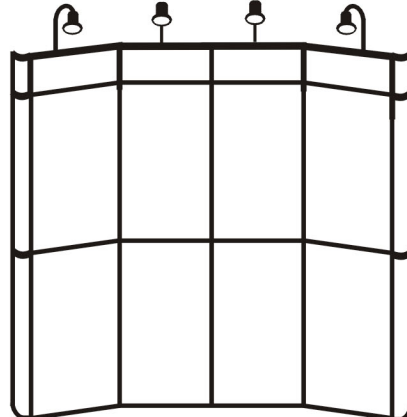
Headers are dropped into position by aligning with pins.

4



Light fixtures are rotated into position, from back to front, at top of frame.

5



Stack end caps, using pegs to align, and attach to display using magnetics. Use thumb screws to secure to frame.

6